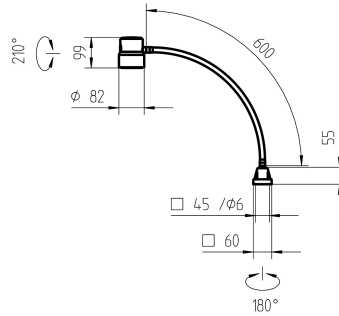


Flexible-tube luminaire SL SLF 500/750

113261000-00641183



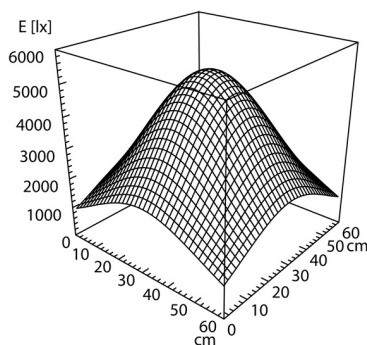
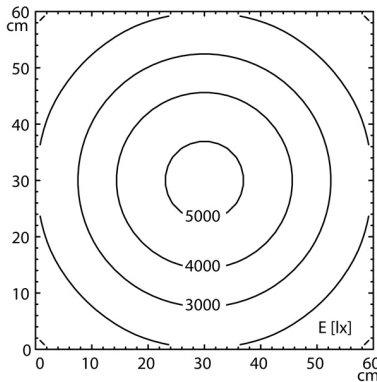
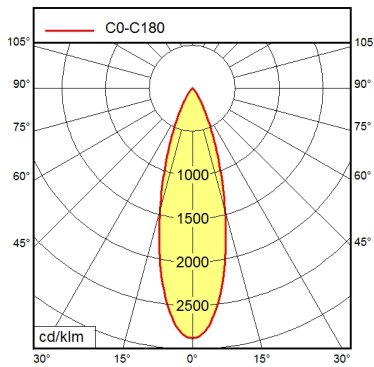
CEE 7/XVI



BS 1363 A



NEMA 1-15P



Light source

Work equipment

Connected load

Power consumption

Luminous flux

Light type/-color

Colour temperatur

Color rendering index

Light distribution

Beam angle

Glare control

System of protection

Class of protection

Technology

Operation

Housing

Light source cover

Mains lead

Fastening

Maximum ambient temperature

EAN

Weight (net)

Weight incl. packaging

Packaging dimensions

Special features

LED

Electronic plug-in transformer

100 - 240 V; AC; 50 Hz; 60 Hz

ca. 6 W

approx. 460 lm

Cold white

approx. 5.000 K

CRI ≥ 70

Wide beam; Direct; Black

30°

Optics

IP 67

II with plug-in power supply, III without plug-in power supply

Switchable; -

Push button

Aluminium; Painted; Black

Borosilicate

ca. 3 m; Mains plug; CEE 7/XVI; BS 1363 A; NEMA 1-15P

Screw-down flange

40 °C

4013330094898

ca. 1,7 kg

ca. 2,6 kg

ca. 930; 180; 130

Flood