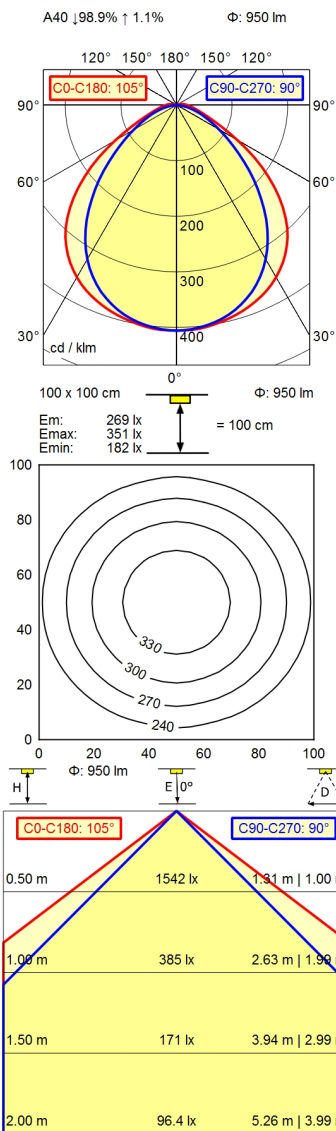
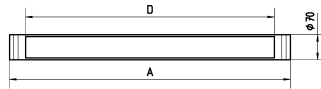


Tube luminaire RL70LE RL70LE- 24 N

113279000-00641386



Light source	LED
Work equipment	Without
Connected load	22 - 26 V; DC
Power consumption	ca. 12,5 W
Luminous flux	approx. 950 lm
Luminous efficiency ¹⁾	approx. 73 lm/W
Light type/-color	Cold white
Colour temperatur	approx. 5.000 K
Color rendering index	CRI ≥ 80
Light distribution	Direct
Direct ratio	approx. 99 %
Beam angle	100°
Chromaticity tolerance LED	< 4 SDCM
Glare control	Diffusor
Luminance (L65)	≤ 12.000 cd/m ²
Unified glare rating (4H 8H) ²⁾	≤ 25
System of protection	IP 67
Class of protection	III
Technology	Switchable; -
Operation	External
Emergency lighting	none
Housing	Borosilicate glass
Light source cover	Borosilicate
Mains lead	Built-in plug; Connector; ST16/2 BS
Fastening	Pipe clamp (accessory)
Light output	D= 316 mm
Side part	A with screwed cable gland
Maximum ambient temperature	40 °C
EAN	4013330087470
Weight (net)	ca. 1,6 kg
Dimensions	370 mm
Dimensions (dimensional drawing)	A=370 mm
Special features	Light forming

¹⁾ For luminaires with separate control gear, the luminous efficacy refers to the luminaire head without control gear according to DIN EN 12464-1:2021

²⁾