

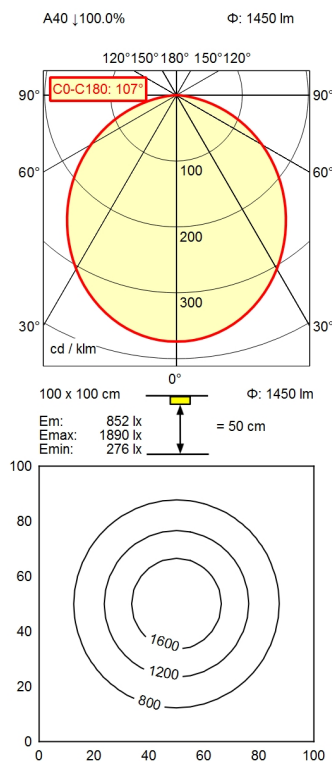
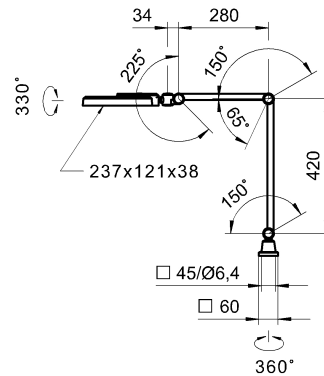
Arm-mounted luminaire ROCIA.planar

RPD 1700/850/DS

113688000-00800644

Waldmann W

ENGINEERS OF LIGHT



Light source	LED
Work equipment	Without
Connected load	22 - 26 V; DC
Power consumption	ca. 16 W
Luminous flux	approx. 1.450 lm
Luminous efficiency ¹⁾	approx. 90 lm/W
Light type/-color	Cold white
Colour temperatur	approx. 5.000 K
Color rendering index	CRI ≥ 80
Light distribution	Direct; Tubular aluminium section; Anodized; Black
Direct ratio	approx. 100 %
Beam angle	110°
Chromaticity tolerance LED	< 4 SDCM
Glare control	Diffusor
Luminance (L65)	≤ 23.000 cd/m ²
Unified glare rating (4H 8H) ²⁾	≤ 28
System of protection	IP 65
Class of protection	III
Technology	Continuously dimmable; Spring
Operation	Push button
Emergency lighting	none
Housing	Painted; Jet black
Light source cover	Polycarbonate (PC); White opal
Mains lead	ca. 3 m; With free stranded wires
Fastening	Table clamp (accessory); Wall bracket (accessory); Screw-down flange 4013330020118
EAN	
Weight (net)	ca. 2,2 kg

¹⁾ For luminaires with separate control gear, the luminous efficacy refers to the luminaire head without control gear according to DIN EN 12464-1:2021

²⁾