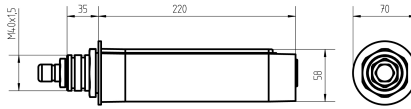


Surface-mounted luminaire MACH LED PLUS.seventy

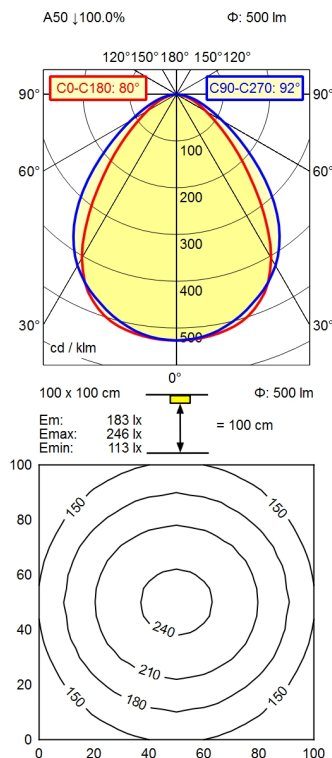
113710000-00804713

Waldmann **W**

ENGINEERS OF LIGHT



Series 2061



Light source	LED
Work equipment	Electronic ballast
Connected load	100 V; 120 V; 220 - 240 V; AC; 50 Hz; 60 Hz
Power consumption	ca. 7 W
Luminous flux	approx. 500 lm
Light type/-color	Cold white
Colour temperatur	approx. 5.000 K
Color rendering index	CRI \geq 80
Light distribution	Direct; Symmetric
Beam angle	80°/90°
Chromaticity tolerance LED	< 4 SDCM
Glare control	Diffuser foil
Luminance (L65)	\leq 24.000 cd/m ²
Unified glare rating (4H 8H)	\leq 28
System of protection	IP 67
Class of protection	I
Technology	Switchable; -
Operation	External
Housing	Aluminium; Anodised; Aluminium coloured anodised Borosilicate; Clear
Light source cover	
Weight (net)	ca. 0,9 kg
Mains lead	Built-in plug; Series 2061
Design	mounted version
Fastening	Lamp bracket (accessory); Thread M40 x 1.5
Dimension	220 mm
Minimum ambient temperature	-10 °C
Maximum ambient temperature	40 °C