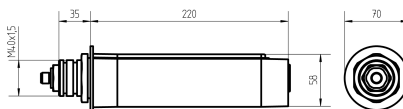
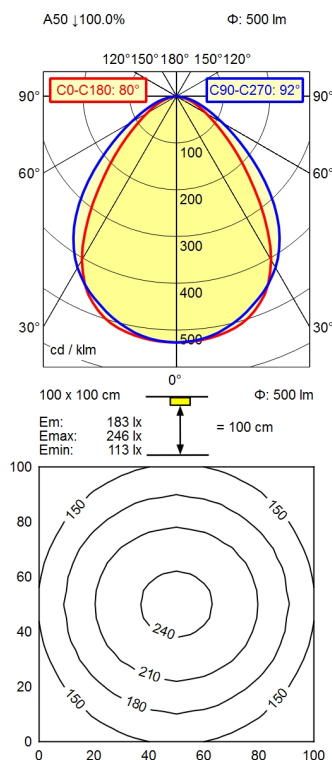


Surface-mounted luminaire MACH LED PLUS.seventy

113710000-00804714



Serie 814



| | |
|-------------------------------------|--|
| Light source | LED |
| Work equipment | Electronic ballast |
| Connected load | 100 V; 120 V; 220 - 240 V; AC; 50 Hz; 60 Hz |
| Power consumption | ca. 7 W |
| Luminous flux | approx. 500 lm |
| Light type/-color | Cold white |
| Colour temperatur | approx. 5.000 K |
| Color rendering index | CRI ≥ 80 |
| Light distribution | Direct; Symmetric |
| Beam angle | 80°/90° |
| Chromaticity tolerance LED | < 4 SDCM |
| Glare control | Diffuser foil |
| Luminance (L65) | ≤ 24.000 cd/m ² |
| Unified glare rating (4H 8H) | ≤ 25 |
| System of protection | IP 67 |
| Class of protection | I |
| Technology | Switchable; - |
| Operation | External |
| Housing | Aluminium; Anodised; Aluminium coloured anodised Borosilicate; Clear |
| Light source cover | |
| Weight (net) | ca. 0,9 kg |
| Mains lead | Built-in plug; Serie 814 |
| Design | mounted version |
| Fastening | Thread M40 x 1.5 |
| Dimension | 220 mm |
| Minimum ambient temperature | -10 °C |
| Maximum ambient temperature | 40 °C |