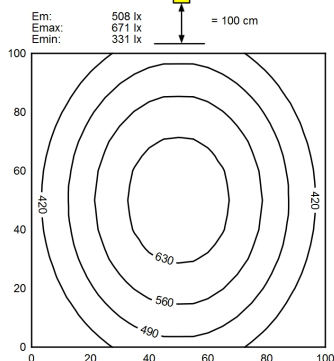
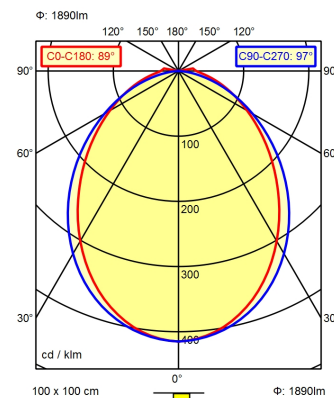


M12-A-5



| | |
|---------------------------------------|---|
| Light source | LED |
| Work equipment | Without |
| Connected load | 22 - 26 V; DC |
| Power consumption | ca. 18 W |
| Luminous flux | approx. 1.890 lm |
| Light type/-color | Cold white |
| Colour temperatur | approx. 5.000 K |
| Color rendering index | CRI ≥ 80 |
| Light distribution | Direct |
| Beam angle | 89° / 97° |
| Chromaticity tolerance LED | < 4 SDCM |
| Glare control | Screen |
| System of protection | IP 54 |
| Class of protection | III |
| Technology | Switchable; - |
| Operation | External |
| Housing | Aluminium/plastic; Anodised, painted; Aluminium coloured anodised Acrylic (PMMA); Satine |
| Light source cover | |
| Weight (net) | ca. 0,4 kg |
| Mains lead | Built-in plug; M12-A-5 |
| Design | mounted version |
| Fastening | Bracket |
| Dimension | A=895mm,Cmin=850mm,Cmax=880mm |
| Minimum ambient temperature | 5 °C |
| Maximum ambient temperature | 40 °C |
| Decorative contrast side parts | Natural silver anodised |
| Special features | Through-wired |