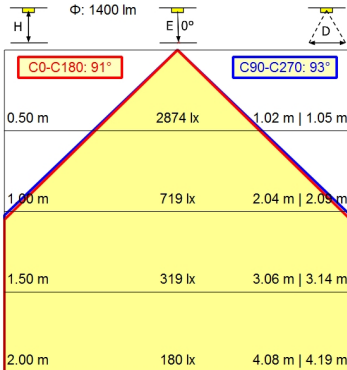
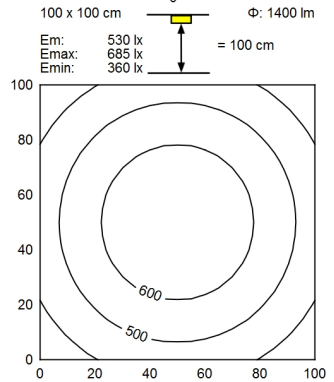
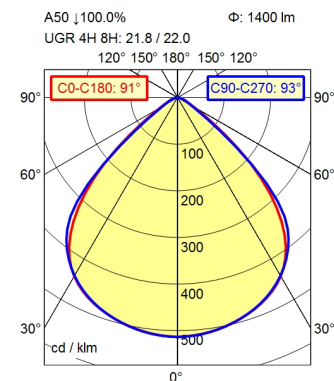


M12-A-5



Light source	LED
Work equipment	Without
Connected load	24 V; DC
Power consumption	ca. 12 W
Luminous flux	approx. 1.400 lm
Luminous efficiency ¹⁾	approx. 116 lm/W
Light type/-color	Cold white
Colour temperatur	approx. 5.000 K
Color rendering index	CRI ≥ 80; R9 ≥ 10
Light distribution	Direct; Symmetric
Beam angle	91°
Chromaticity tolerance LED	< 3 SDCM
Glare control	Optics
Luminance (L65)	≤ 5.200 cd/m ²
UGR class (4H 8H; EN 12464-1)	≤ 22
System of protection	IP 67
Class of protection	III
Technology	Multi-stage switchable
Operation	External
Emergency lighting	none
Housing	Aluminium; Anodised; Aluminium coloured anodised Borosilicate
Light source cover	
Mains lead	Built-in plug; M12-A-5
Design	Integrated version
Fastening	Snap-fit
Installation dimensions	ca. 388 mm; 68 mm; 30 mm
Minimum ambient temperature	0 °C
Maximum ambient temperature	50 °C
EAN	4013330124069
Weight (net)	ca. 1 kg
Weight incl. packaging	ca. 1,3 kg
Dimensions	398 mm; 78 mm; 19 mm
Dimensions (dimensional drawing)	A=398 mm
Packaging dimensions	ca. 475; 135; 45
Special features	ADVANCED package

¹⁾ For luminaires with separate control gear, the luminous efficacy refers to the luminaire head without control g

